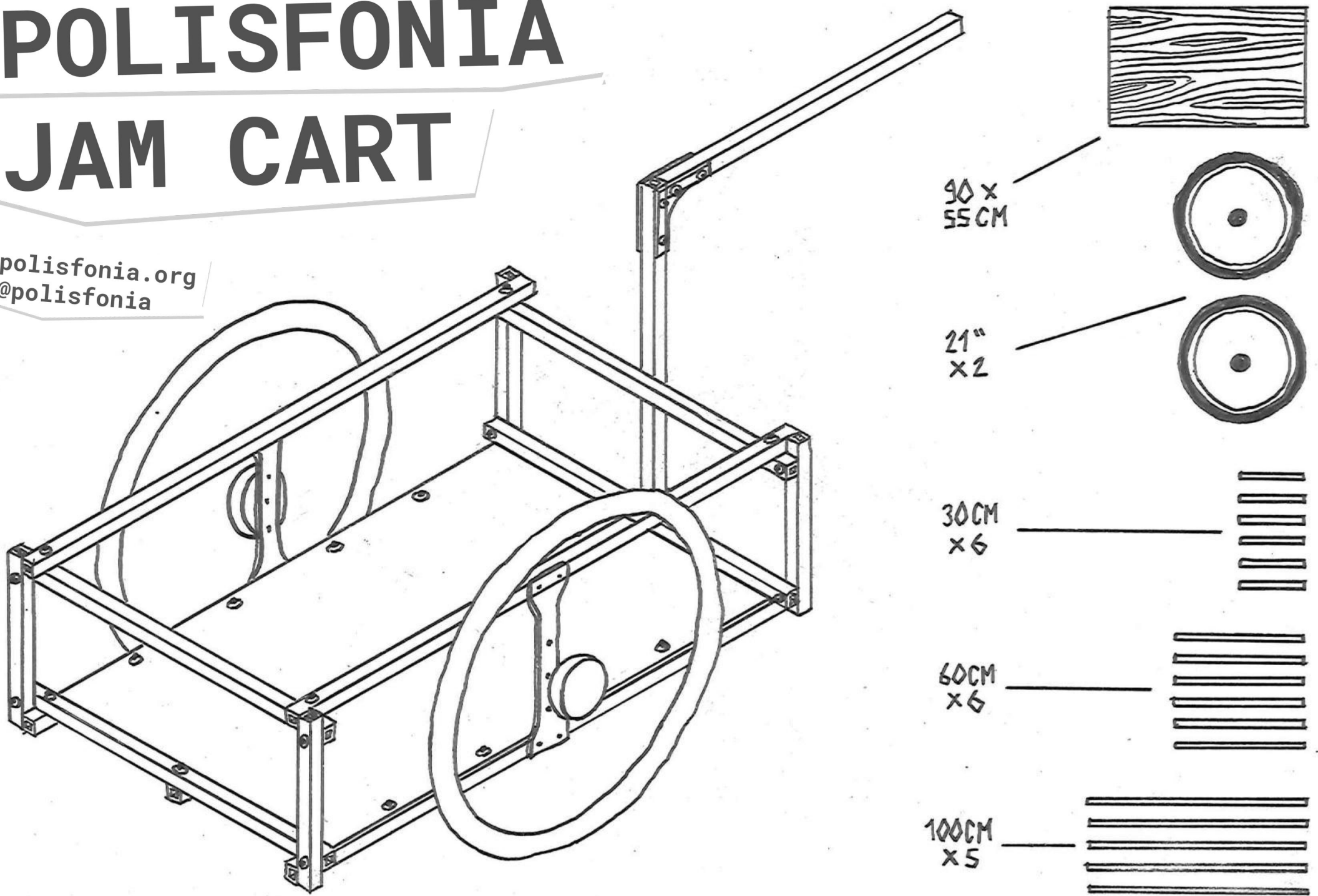
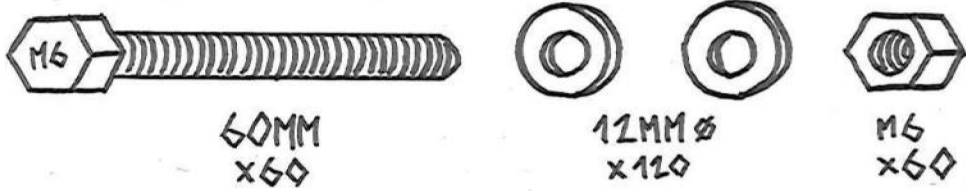


POLISFONIA JAM CART

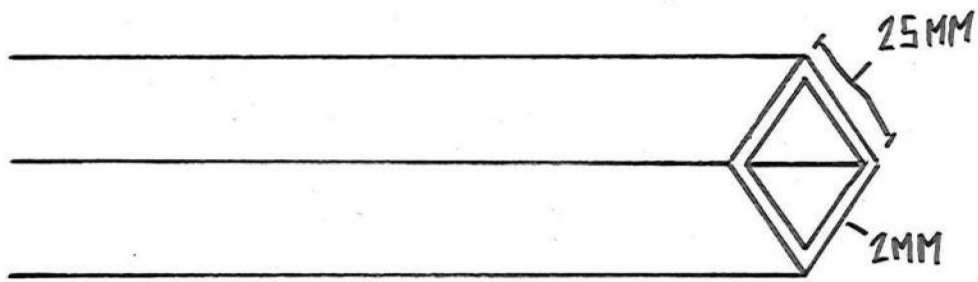
polisfonia.org
@polisfonia



CONNECT WITH 60MM M6 BOLTS, WASHERS ON BOTH SIDES.



CUT 25MM Ø SQUARE ALUMINIUM TUBES WITH A HAND SAW.



DRILL HOLES WITH A 6.5MM Ø BIT.

